

# S3970RT

## COMPACT ROUGH TERRAIN SCISSOR



- Compact diesel rough terrain scissor lift
- Large work area with 1.2m roll-out deck extension
- Hydraulic outriggers with automatic levelling
- Powerful 4x4 drive
- Ideal for construction applications

 **snorkel**  
[www.snorkellifts.com](http://www.snorkellifts.com)

# COMPACT ROUGH TERRAIN SCISSOR S3970RT

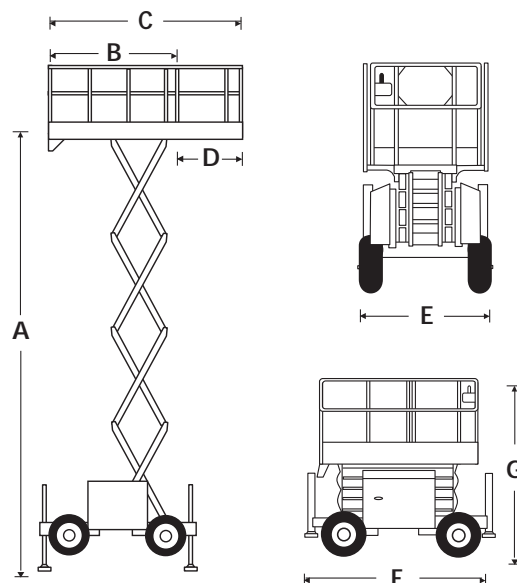
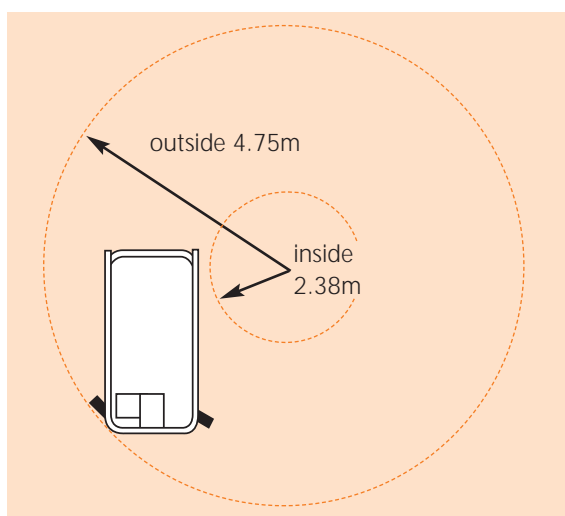
DIMENSIONS	S3970RT
Max. working height	13.5m
Max. platform height (A)	11.5m
Platform size (stowed) (B)	2.73m x 1.65m
Platform size (extended) (C)	3.93m x 1.65m
Deck extension (D)	1.2m
Overall width (E)	1.8m
Overall length (F)	3.32m
Stowed height (G)	2.95m
Min. height (guardrails folded)	2.15m
Ground clearance	350mm

PERFORMANCE	
Platform capacity (SWL)	350kg
Max. drive height	11.5m
Max. drive speed (stowed)	4.5km/h
Max. drive speed (elevated)	0.35km/h
Raise/lower time	48/54 sec
Gradeability	30%
Max. outrigger levelling, front to rear	7°
Max. outrigger levelling, side to side	11°
Inside turning radius	2.38m
Outside turning radius	4.75m
Tyres	27 x 10.5 x 15 poly-filled loader lug
Controls	proportional joystick
Drive system	4 wheel drive

POWER	
Power source	Kubota diesel engine
Power options	Petrol, LPG, Combination (LPG/Petrol), Bi-Energy 24V DC

WEIGHT	
Gross weight	3,790kg

## TURNING RADIUS



## STANDARD FEATURES

- 1.2m deck extension
- 4 wheel drive
- 4 hydraulic outriggers with automatic levelling
- Proportional joystick controls
- Poly filled lug tyres
- Articulating axle
- Power line to platform (no sockets)
- Horn
- Drive motion alarm
- Lower warning alarm
- Fold-down guardrails
- CE approved

## OPTIONS

- Special paint colours
- Non-marking tyres
- RCD/ELCB outlet
- Flashing amber beacon

**snorkel**

Vigo Centre, Birtley Road,  
Washington, Tyne & Wear,  
NE38 9DA, U.K.

t: +44 (0) 845 1550 057  
e: sales@snorkellifts.com

www.snorkellifts.com